

Paint Mate 200iA & Paint Mate 200iA/5L

Basic Description

FANUC Robotics' Paint Mate robot is a compact, electric servo-driven paint robot with best-in-class performance designed for operation in a hazardous environment. Based on the highly-acclaimed LR Mate® series, this robot's envelopes, speed, and dexterity are a perfect fit for coatings and hazardous duty applications. The Paint Mate can be used for small parts painting or a material saving alternative to multiple fixed guns.

Paint Mate, the Solution for:

- Painting
- Coating
- Assembly and Handling in Hazardous Environments
- Material removal where hazardous cooling chemicals are present
- Dispensing

Features

- iPendant™, a color, Internet-ready teach pendant for even easier programming and custom cell user interface design.
- Optional one or four pneumatic three-way solenoid valves located in the purge cavity for gun triggering capability.
- Floor, invert, angle and wall mounting permits versatility for robot location and allows for minimal spray booth size.
- Absolute serial encoders eliminate the need for calibration at power-up.
- Standard FANUC Robotics purge control.



- Approved for use in hazardous locations; see specifications for details.
- FM: Flex field and rigid conduit ATEX: ROX
- Tabletop size, slim wrist, and small footprint permit operation in tight work spaces
- Extremely fast acceleration and deceleration motion results in faster cycle times.
- Control Reliable Safety Circuit (RIA1506.1999 compliant)

Reliability and Maintenance Advantages

- The latest generation of a proven design
- Sealed bearings and brushless AC motors
- Purged and pressurized cavities
- Designed for painting environment

Software

Two standard software applications are available:

- HandlingTool™ allows for the setup, programming, and operation for basic and custom applications. Built-in macro functions including paint application plug-in routines and menu-driven programming tools allow users to create, test, and run robot application programs with minimal training and program assistance.

- PaintTool™ software with optional configurations for stand alone or multi robot systems with built-in paint function controls:

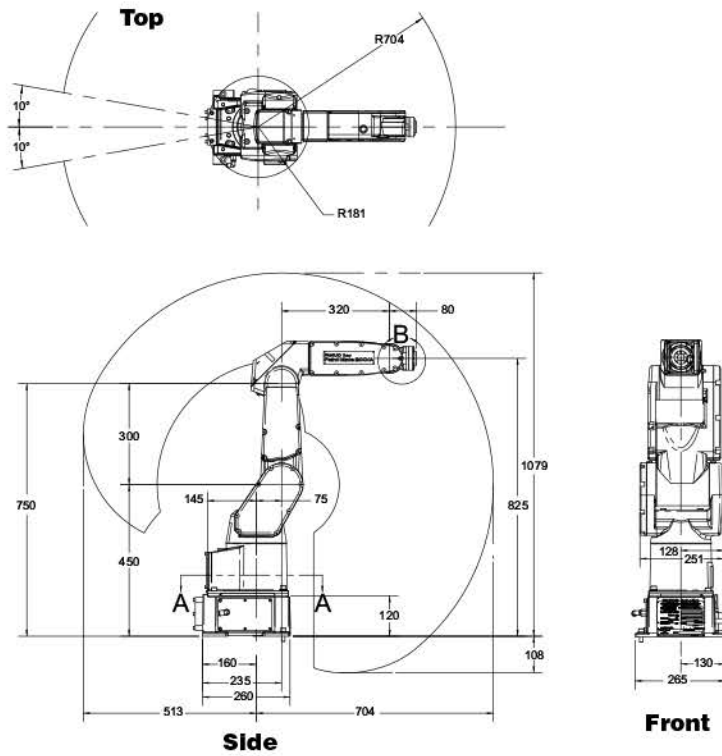
- Analog parameter control
- Color change control
- "Cancel/Continue" feature
- Integral 2K variable ratio Pump Control
- ACCUFLOW™ closed-loop fluid control.
- Line tracking
- Collision detection
- Internet connectivity
- KAREL® programming language

Process control hardware must be added separately.

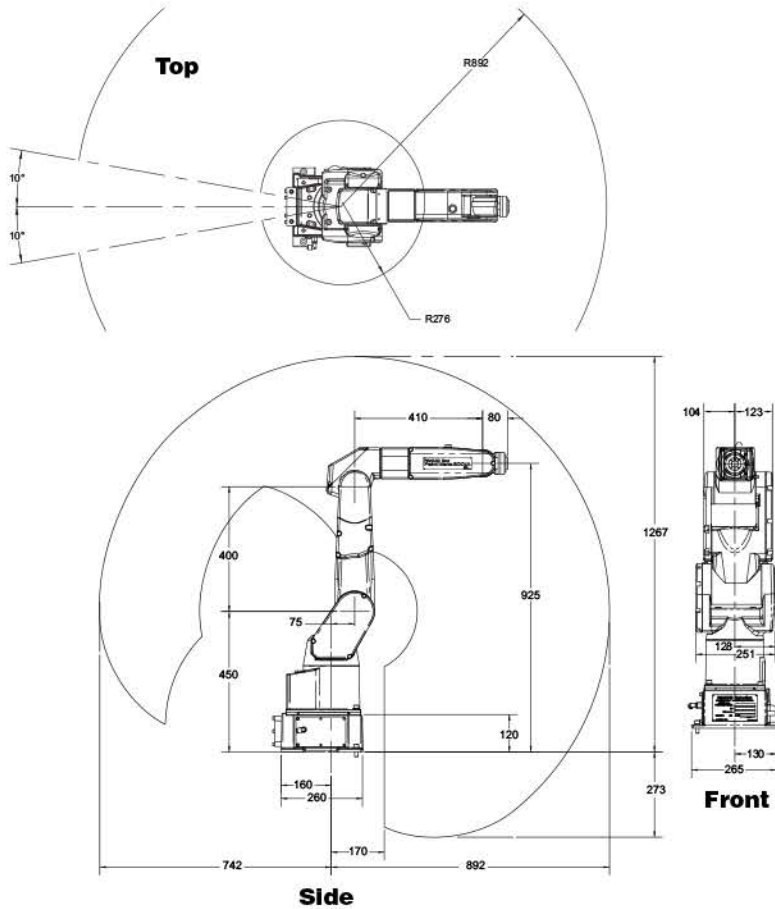
FANUC
Robotics

Dimensions

Paint Mate 200iA



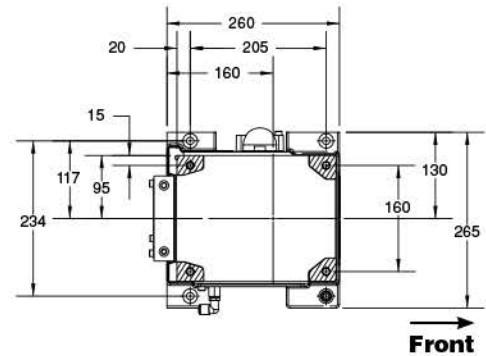
Paint Mate 200iA/5L



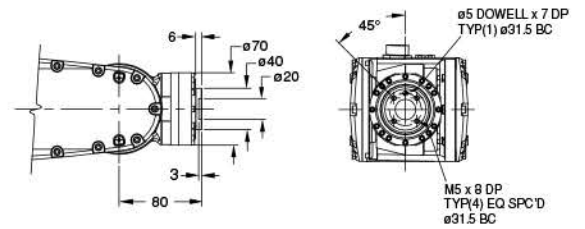
Paint Mate Isometric



Footprint (All models)



Wrist (All models)

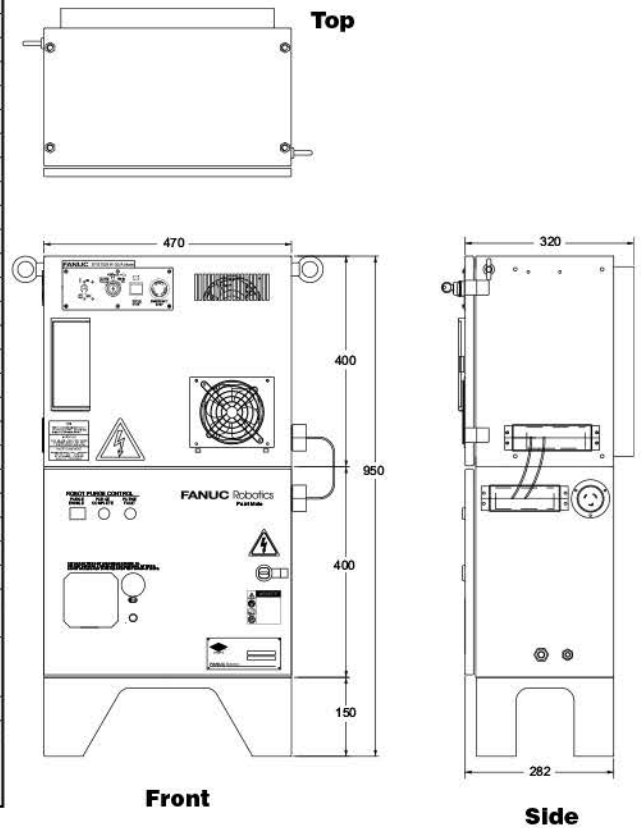


Paint Mate Series Robot Specifications

Items	Paint Mate 200iA	Paint Mate 200iA/5L
Axes	6	6
Payload - wrist (kg)	5	5
Reach (mm)	704	892
Repeatability (mm)	±0.02	±0.03
Interference Radius (mm)	181	181
Motion range (degrees)	J1	340
	J2	200
	J3	388
	J4	380
	J5	240
	J6	720
Motion speed (degrees/s)	J1	350
	J2	350
	J3	400
	J4	450
	J5	450
	J6	720
Wrist moments N-m (kgf-m)	J4	11.9 (1.21)
	J5	11.9 (1.21)
	J6	6.7 (0.68)
Wrist load inertia (kg-m ²)	J4	0.3
	J5	0.3
	J6	0.1
Mechanical brakes	All axes	All axes
Mechanical weight (kg)	35	37
Mounting method ⁽¹⁾	Floor, ceiling, angle and wall	
Installation environment		
Temperature (°C)	0 to 45	
Humidity	Normally: 75% or less Short term (within a month): 95% or less No condensation	
Vibration m/s ² (G)	0.5 or less	
Ratings	FMuc Class I, II, III, Div I, Group C, D, E, F, G T4 45°C Ambient ATEX C _{II} 2 G c Ex Ib px IIB T4 Ta=0°C to +45°C ATEX C _{II} 2 D c Ex pD 21 T 135°C Ta=0° to +45°C Note: iPendant™ for non-hazardous areas only	

Note: (1) J1 and J2 axes motion range will be limited for angle and wall mount installations.

R-30iA Mate Controller Dimensions



R-30iA™ Mate Controller Specifications

Items	
External Dimensions (mm)	- 470(W) x 320(D) x 950(H)
Weight	- 56 kg
Operating Environment	- Ambient temperature: 0 - 45 °C (R-30iA Mate) - Humidity: 75% RH or less; Short term (within a month): 95% or less - Vibration: 0.5G or less
Power Supply	- 200-230VAC Single Phase; +10%, -15%, 50/60 Hz ± 1Hz
Power Consumption	- 0.5 KW (average), 1.2 KVA (maximum)
CPU	- Multi-processor architecture (separate motion and communication) with real-time clock/calendar
Controlled Axes	- 24 (up to 5 motion groups for R-30iA Mate)
Serial/ host communications	- One 100 Base-TX/10 Base-T Ethernet port with RJ-45 connector - One RS-232-C / RS-485 port
Teach Pendant	- Color graphic iPendant™ with available touch screen option (Not in hazardous area)
iRVision®	- Built-in camera interface for 2-D vision applications Optional: multiplexer for multiple 2-D cameras and 3-D vision
Built-in I/O	- Up to 28 digital inputs / 24 digital outputs 24VDC (external 24VDC power supply is required for digital outputs)
Safety Features	- Dual Check Safety (DCS) circuit
Memory Card	- PCMCIA type 2 interface: ATA flash disk (SanDisk compatible)
R-30iA Mate Controller Options:	
I/O sub-systems	- Model A I/O (remote mounted modular rack- 5 or 10 slots) - Model B I/O (distributed DIN rail mounted) - FANUC I/O link
Remote I/O sub-systems	- DeviceNet (single channel slave) - Profibus DP slave/master - CC-Link (slave) - Ethernet I/O (EGD and EIP Adapter/Scanner)
Integrated PMC	- Ladder logic control for peripheral devices - Including ladder monitor with hot edit on iPendant

Isometric



Note: Dimensions are shown in millimeters. Detailed CAD data is available upon request.



Paint Mate - Maximum performance at minimal cost. Affordable robotic automation for small parts coating.



Class 1 Division 1 hazardous approval ratings enables the Paint Mate robot to be used for handling applications in explosive and extreme environments



FANUC Robotics offers a complete line of painting robots and turnkey system solutions for all your coatings needs.

Intelligent Robot Solutions

FANUC
Robotics

FANUC Robotics America, Inc.
3900 W. Hamlin Road
Rochester Hills, MI 48309-3253

Charlotte, NC
(704) 596-5121

Toronto, Canada
(905) 812-2300

Chicago, IL
(847) 898-6000

Montréal, Canada
(450) 492-9001

For sales or technical information, call:
1-800-iQ-ROBOT

Cincinnati, OH
(513) 754-2400

Aguascalientes, Mexico
52 (449) 922-8000

Los Angeles, CA
(949) 595-2700

Sao Paulo, Brazil
(55) (11) 3619-0599

marketing@fanucrobotics.com
fanucrobotics.com

Toledo, OH
(419) 866-0788

©2009 FANUC Robotics America, Inc. All rights reserved. FANUC ROBOTICS LITHO IN U.S.A. FRA-12/09